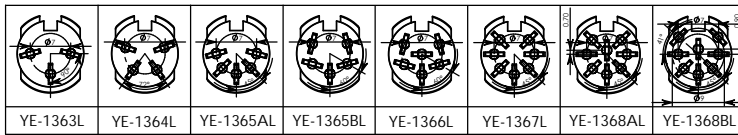
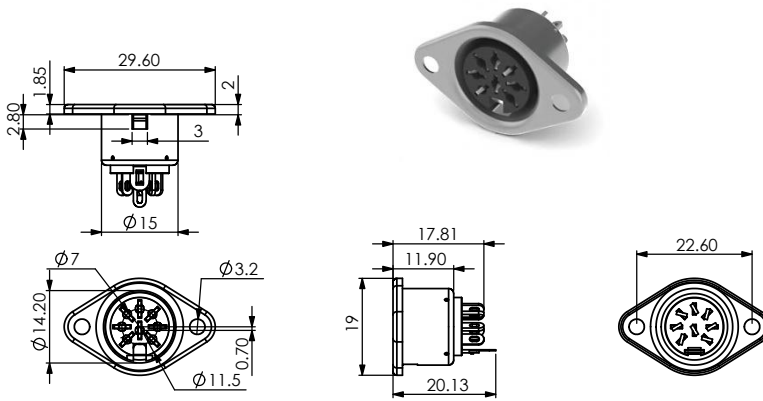


# YE-136XL DIN SOCKET CHASSIS MOUNT PUSH LOCKING TYPE



## MATERIAL :

1. SHELL COVER : STEEL NICKEL PTD.
2. GND CONTACTOR : PHOSPHOR BRONZE NICKEL PTD.
3. HOUSING : ABS
4. TERMINALS : COPPER SILVER PTD.

## SPECIFICATION :

Rating : 100V AC 1A max.

Contact Resistance :

Pins 30mΩ max.

Shell 50mΩ max.

Insulation Resistance :

100MΩ at 500V DC min.

Voltage Withstand :

250V AC for 1 minute



YE-1363L



YE-1364L



YE-1365AL



YE-1365BL



YE-1366L



YE-1367L



YE-1368AL



YE-1368BL